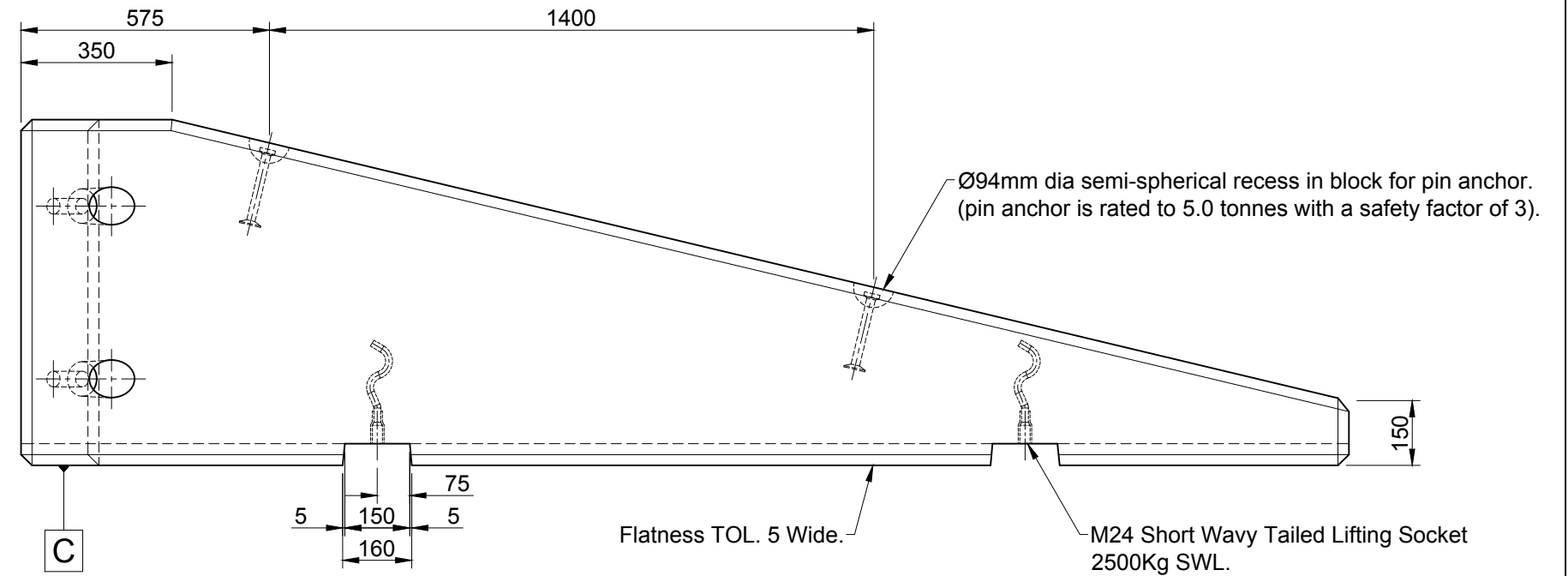
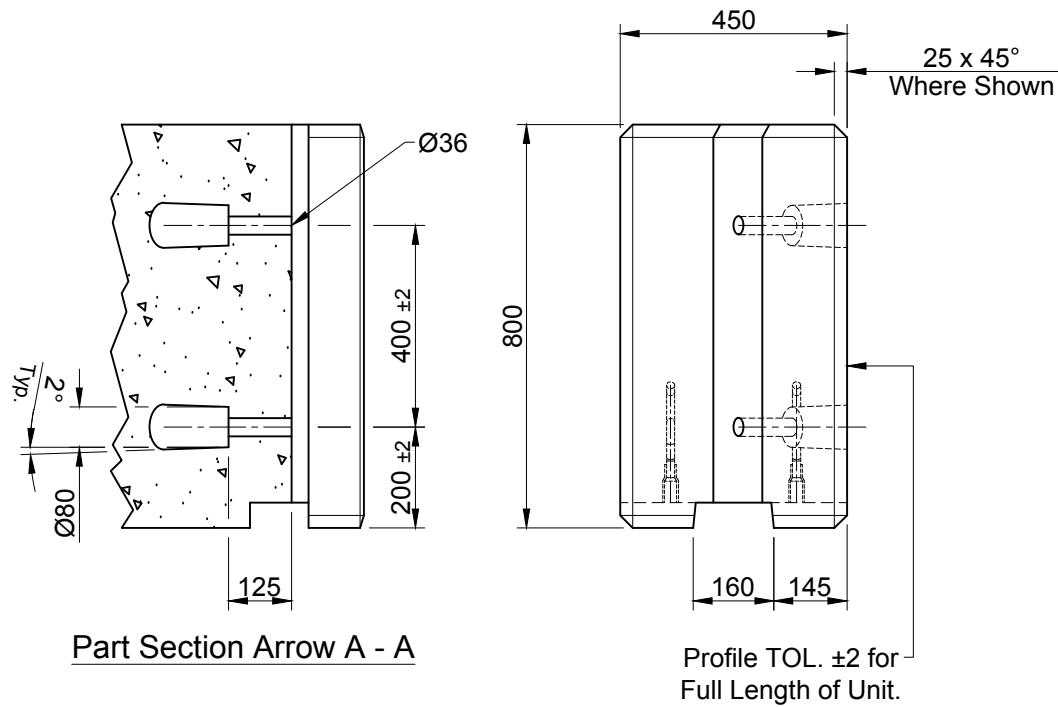
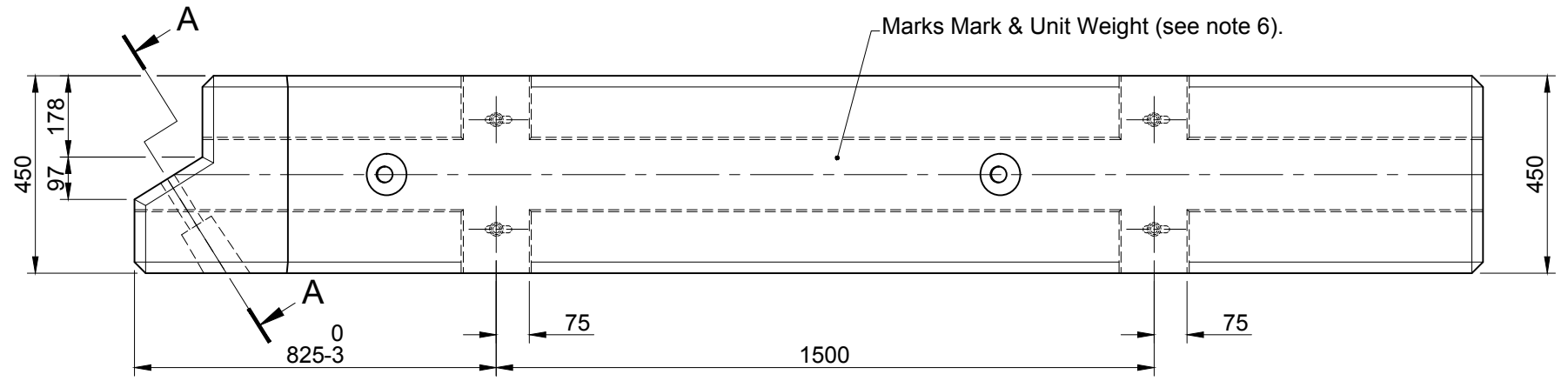
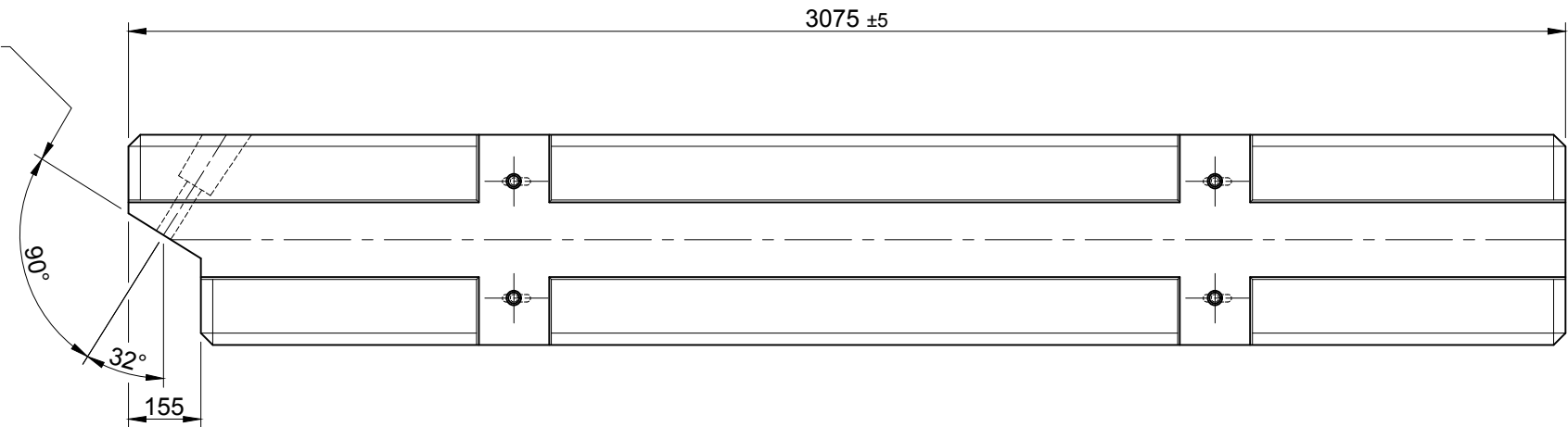


Notes

- Dimensions in millimetres
- Tolerance to be $\pm 0.5\%$ unless otherwise stated.
- For reinforcement details see drawing EPC-TVCB-008 & EPC-TVCB-009.
- Concrete mix C50 or C40 with air entrapment.
- The overlap of the scarf joint must always be in the direction of traffic.
- Manufacturer to establish weight from a sample unit, estimated weight of unit 1700Kg.



Square TOL
2 Wide Datum Face C.



										TITLE Temporary Vertical Concrete Barrier (TVCB) Terminal Unit (Central Reserve) Elite Product Code : V30			ELITE PRECAST CONCRETE LTD HALESFIELD 9, TELFORD SHROPSHIRE TF7 4QW				
REV	DATE	REASON FOR ISSUE	DRN	APP	REV	DATE	REASON FOR ISSUE	DRN	APP	DRN CTC CHKD RMD DATE 20-03-14	SIZE A3	SCALE 1:15	DRG EPC-TVCB-007	REV A			
					A	08.02.18	Drawing revised & updated.			CTC RMD							
					O	20.03.14	For Information.			CTC RMD							