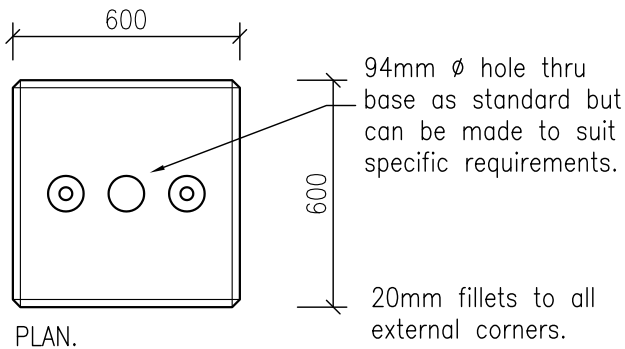
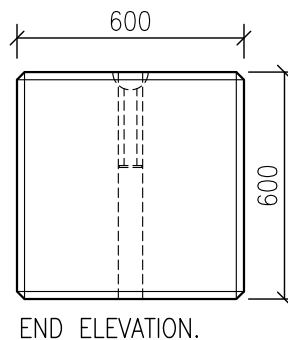
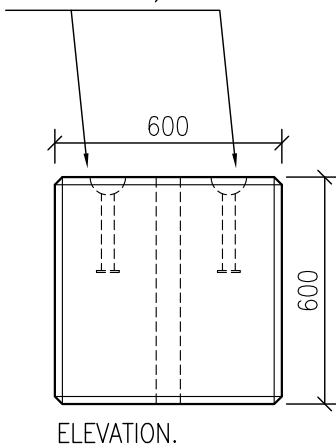


ISOMETRIC



2No semi-spherical recess in gravitational centreline of block for pin anchors.
(pin anchor is rated at 2.5 tonnes with a F.O.S. of 3)



1. Handling.

- Volume of Standard block is 0.216m³ & a weight of 508 kg (based on 2350 kg/m³)
- Lifting system is by means of a 180mm long spherical pin anchor rated at 5.0 tonnes with an F.O.S. of 3.
- Lifting is achieved by use of 2No 2.5T rated pin anchors ring clutch or combination ring clutch only and should comply with the Lifting Operation & Lifting Equipment Regulations 1998. (LOLER)

2. Concrete.

- Characteristic 28 day cube strength = 50 N/mm² min.
- Concrete is Class A1 Fire Resistant in accordance with clause 4.3.4.4 of EN 13369.

3. Manufacture.

- Manufactured to BS EN 13369:2013
- Tolerances to BS EN 13670:2009

4. Physical & Chemical Properties.

- Appearance: Grey in Colour.
- Other Chemical Properties: Not Applicable.

5. Manufacture Tolerances.

- Length: \pm 5mm
- Width: \pm 5mm
- Height: \pm 5mm

**PROGRESS
PRINT**

Weight for 600mm x 600mm x 600mm unit is 0.508 tonne.
(based on 2350 kg/m³)

Project:

TECHNICAL DATA SHEET.

Sheet Size:

A4

Title:

**600mm x 600mm x 600mm
Post Base (with 94mm \varnothing Hole)
Type-2**

Drawing Scale:

1:20

Drawn By:

N.D.

Drawing No:

APC-928

Revision:

Date:

04/07/2023

Checked By:



Civils Limited

Plot B, Old Dalby Business Park, Station Road,
Old Dalby, Melton Mowbray, LE14 3NJ
Tel. 01949 838647
Email. info@apccivils.co.uk www.apccivils.co.uk