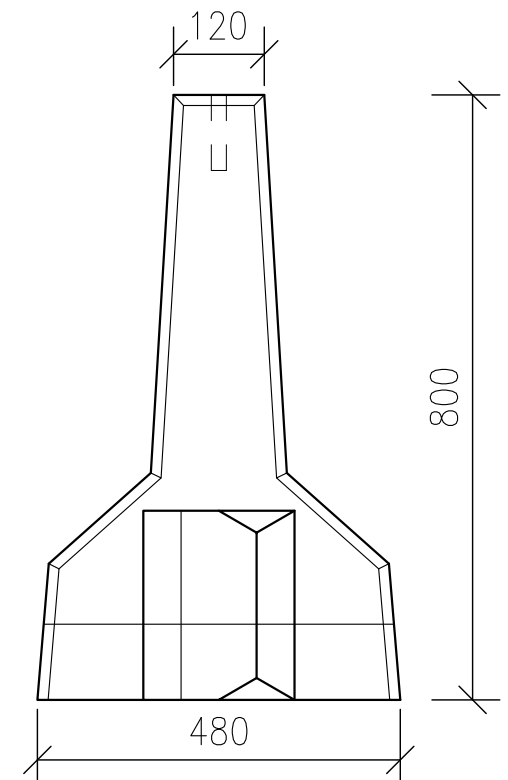
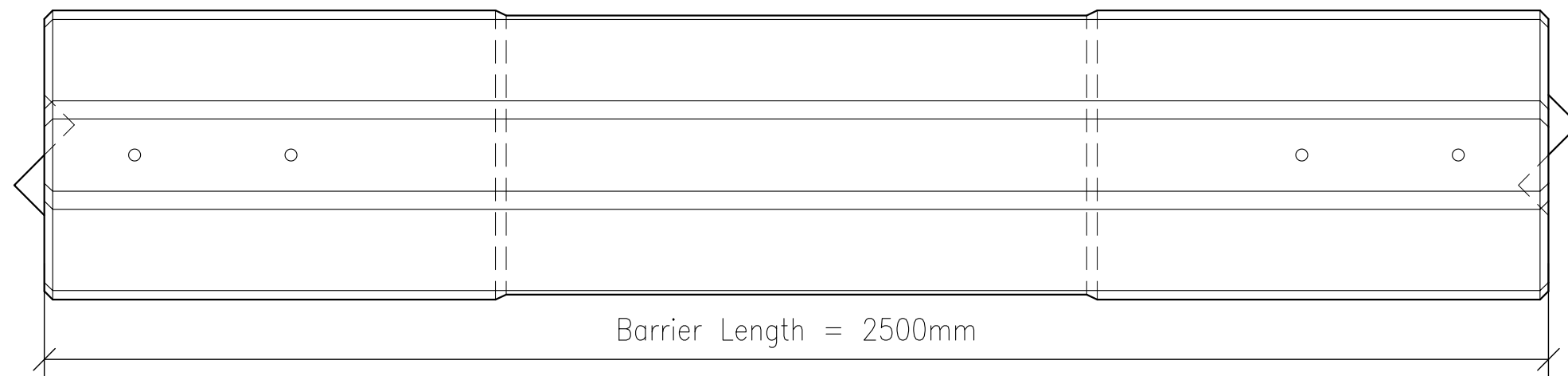


**ELEVATION**



**ELEVATION 'A'**



**PLAN**

**ELEVATION 'A'**

**DOUBLE-SIDED CONCRETE CRASH BARRIER SECTIONS WITHOUT BACKING (FREE - STANDING)**

WEIGHT - 1.00T (APPROX)

• DO NOT SCALE USE FIGURED DIMENSIONS ONLY.  
 • ALL DIMENSIONS TO BE CHECKED ON SITE.  
 • A.P.C TO BE INFORMED OF ANY DISCREPANCIES BEFORE WORK PROCEEDS.

Revision:	Description:	Drawn By:	Date:
A	Lifting Sockets Added.	N.D.	28/06/22
B	Title block amended.	N.D.	05/07/22
C	Notation amended.	N.D.	25/05/23

Project:		
TECHNICAL DATA SHEET.		
Title:		
New 'NAVAN' Double Sided Barrier. 2500mm Long x 480mm Wide.		
Drawing No:	Revision:	Drawing Scale:
<b>APC-179</b>	<b>C</b>	<b>1:10</b>
Date:	Sheet Size:	Drawn By:
25/05/2023	A3	N.D.



**APC Barriers**  
 Plot B, Old Dalby Business Park,  
 Station Road, Old Dalby,  
 Melton Mowbray, LE14 3NJ  
 Tel. 01949 838647  
 Email. [info@apccivils.co.uk](mailto:info@apccivils.co.uk)  
[www.apccivils.co.uk](http://www.apccivils.co.uk)

© COPYRIGHT: APC Civils Limited.  
 This drawing or any part thereof may not be copied or otherwise reproduced without the written permission of APC Civils Limited.