

Foundation:

The barrier can be placed on surfaces such as concrete, asphalt and compacted & levelled hardcore, clause 804 or similar, with appropriate height and width.

Concrete Barrier Sections.

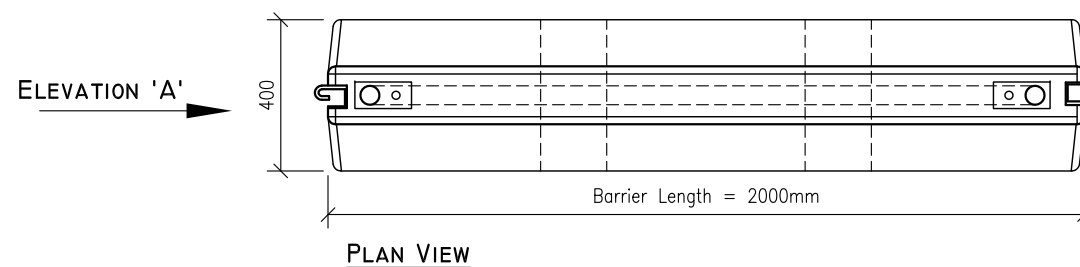
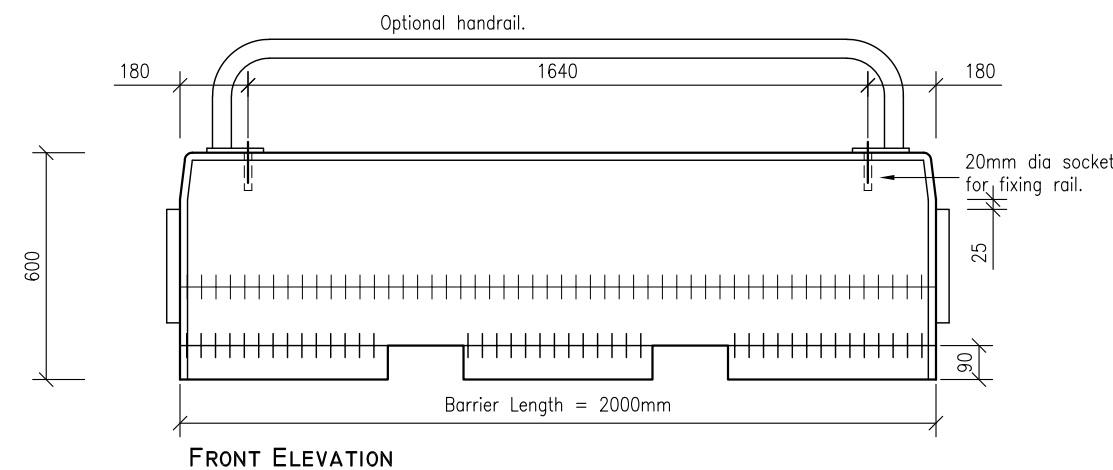
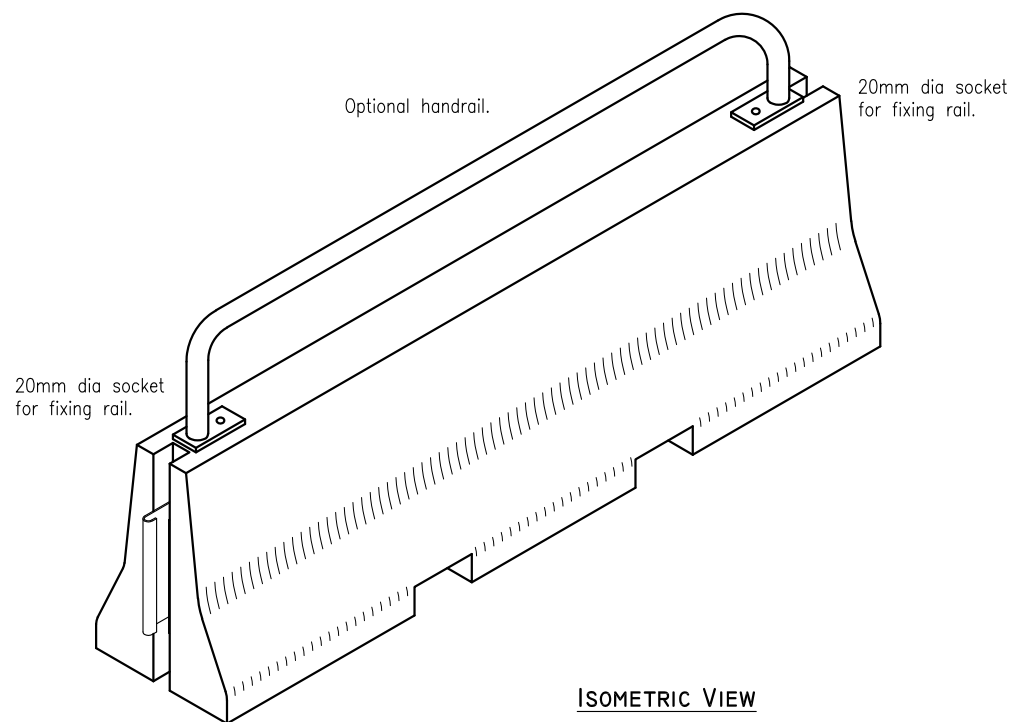
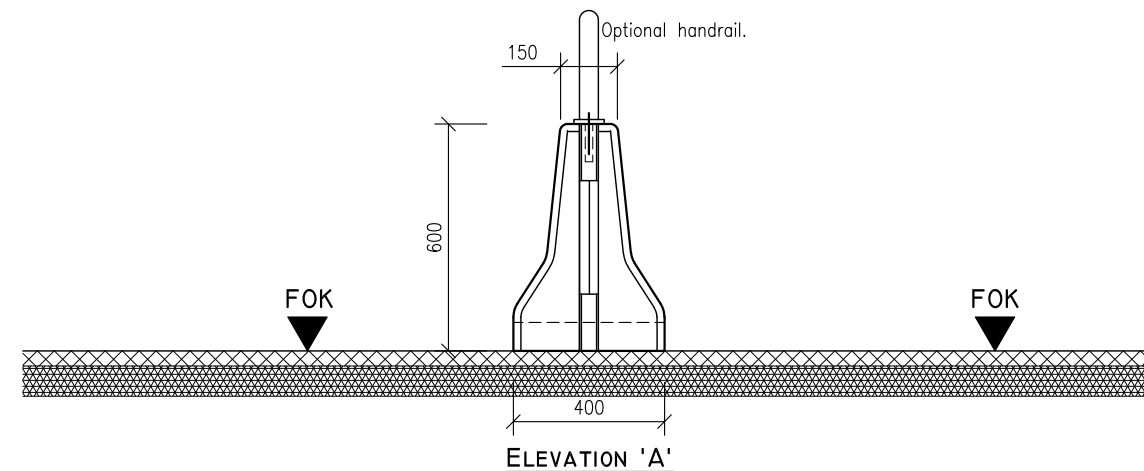
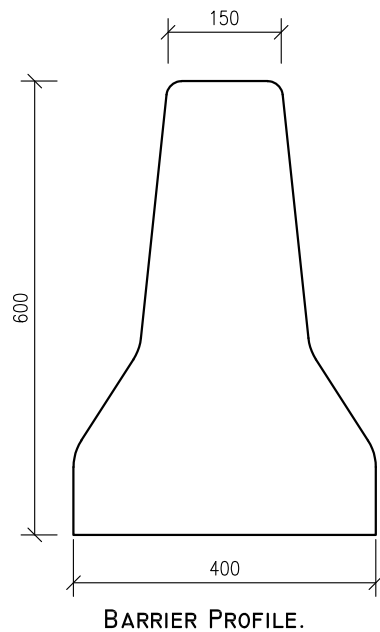
Reinforced C28/35 concrete barriers (New Jersey shape), double-sided, measuring 2000mm x 400mm x 600mm (L x B x H) for use as a free standing and permanent system without any backing.

Reinforcement frame using T12mm bars fitted in centre of barrier.

Reflectors to be fitted as required after barrier installation.


Forklift slots to be provided, 200mm x 90mm @ 700mm centres.

Optional extra - handrail bolted thru sockets cast-in to the barrier during production.



DOUBLE-SIDED CONCRETE CRASH BARRIER SECTIONS WITHOUT BACKING (FREE - STANDING)

WEIGHT - 0.73T (APPROX)

<ul style="list-style-type: none"> DO NOT SCALE USE FIGURED DIMENSIONS ONLY. ALL DIMENSIONS TO BE CHECKED ON SITE. A.P.C TO BE INFORMED OF ANY DISCREPANCIES BEFORE WORK PROCEEDS. <p>© COPYRIGHT: APC Civils Ltd. This drawing or any part thereof may not be copied or otherwise reproduced without the written permission of APC Civils Ltd.</p>	Revision:	Description:	Drawn By:	Date:	Project:	Sheet Size:	 <p>APC Civils Limited Plot B, Old Dalby Business Park, Station Road, Old Dalby, Melton Mowbray, LE14 3NJ Tel. 01949 838647 Email. info@apccivils.co.uk www.apccivils.co.uk</p> <p>Also: Townparks, Ardee, Co. Louth. Tel. +353(0)41 6856372 Email. info@ardeeprecastconcrete.ie</p>
	<p>Technical Data Sheet.</p>					A3	
	<p>Title: Precast Concrete 'Urban Barrier'. 2m Long x 400mm(W) x 600mm(H)</p>					<p>Drawing Scale: 1:20</p> <p>Drawn By: N.D.</p>	
	<p>Drawing No: APC-174</p>	<p>Revision:</p>	<p>Date: 02-10-2020</p>	<p>Checked By:</p>			