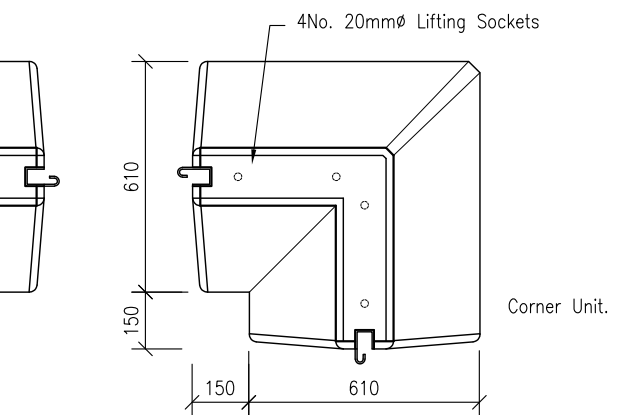
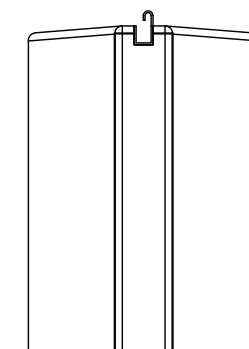


**ELEVATION OF CORNER BARRIER.**



**PLAN VIEW**



**WEIGHT OF CORNER UNIT - 0.53T (APPROX)**

• DO NOT SCALE USE FIGURED DIMENSIONS ONLY.  
• ALL DIMENSIONS TO BE CHECKED ON SITE.  
• A.P.C TO BE INFORMED OF ANY DISCREPANCIES BEFORE WORK PROCEEDS.

© COPYRIGHT: Ardee Precast Concrete.  
This drawing or any part thereof may not be copied or otherwise reproduced without the written permission of Ardee Precast Concrete.

Revision:	Description:	Drawn By:	Date:

Project:		
TECHNICAL DATA SHEET.		
Title: Type 81-2 System Spengler Precast Concrete Road Safety Barrier - Corner Unit.		
Drawing No:	Revision:	Date:
<b>APC - 133</b>		06-10-2016

Sheet Size:	A3
Drawing Scale:	1:20
Drawn By:	N.D.
Checked By:	



**Ardee Precast Concrete Ltd.**  
Townparks, Ardee, Co. Louth.  
Tel. +353(0)41 6856372  
Email. [info@ardeeprecastconcrete.com](mailto:info@ardeeprecastconcrete.com)  
[www.ardeeprecastconcrete.com](http://www.ardeeprecastconcrete.com)

Also:  
Ranch House, 1 Chapel Lane,  
Bingham, Nottingham, NG13 8GF  
Tel. 01949 838647 Email. [info@apccivils.co.uk](mailto:info@apccivils.co.uk)