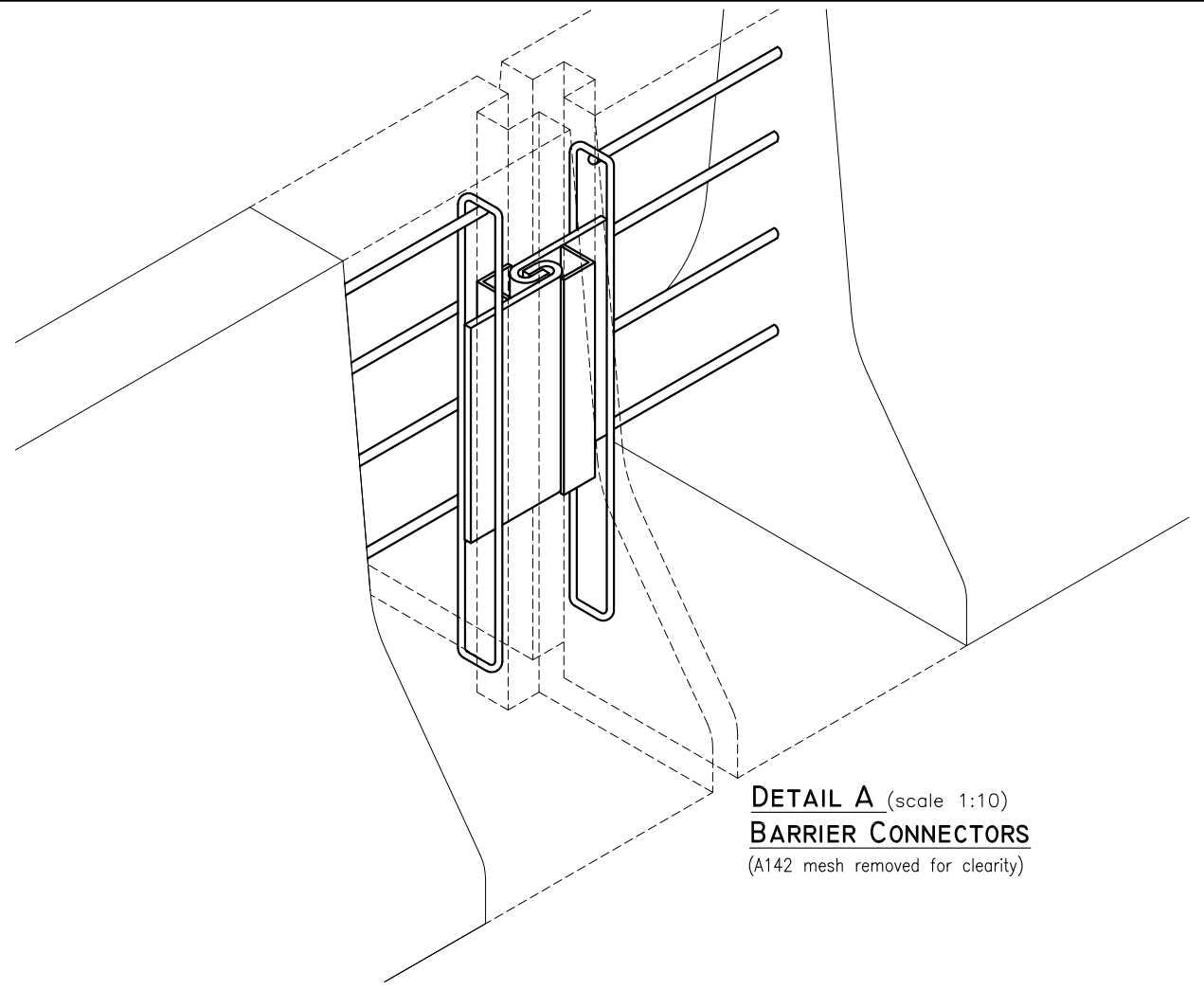
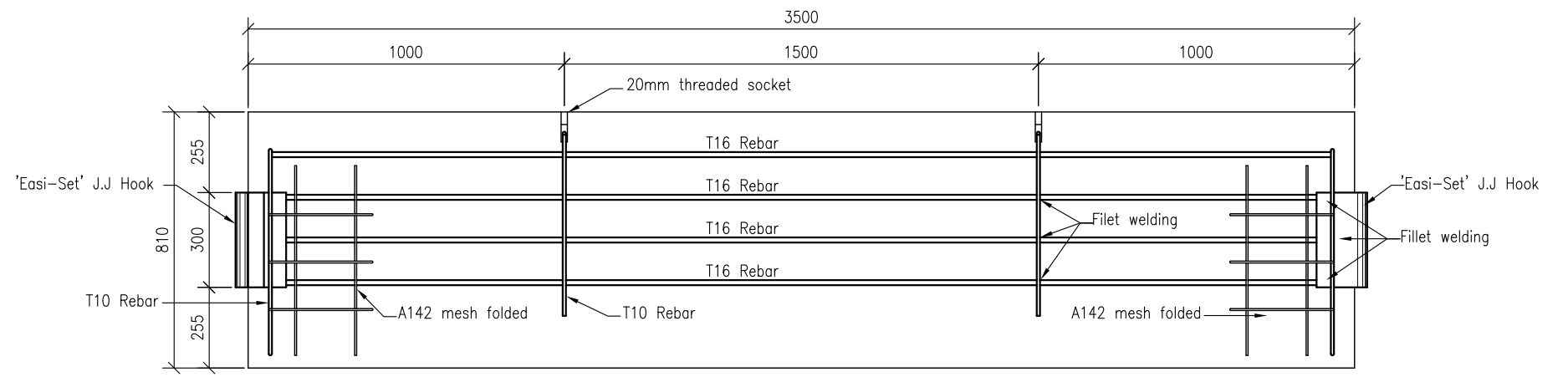


ISOMETRIC VIEW (scale 1:20)



This barrier cage assembly is also fitted in Barrier Type 81+ (single sided) as Drg. APC-107 but with the addition of Q188 mesh reinforcement (or equal approved) for full length and height.



FRONT ELEVATION (scale 1:20)

• DO NOT SCALE USE FIGURED DIMENSIONS ONLY.
• ALL DIMENSIONS TO BE CHECKED ON SITE.
• A.P.C TO BE INFORMED OF ANY DISCREPANCIES BEFORE WORK PROCEEDS.

© COPYRIGHT: Ardee Precast Concrete.
This drawing or any part thereof may not be copied or otherwise reproduced without the written permission of Ardee Precast Concrete.

Revision:	Description:	Drawn By:	Date:
A	Redrawn.	J.E.M	30.11.10
B	Note added.	N.D.	14.01.11

Project: TECHNICAL DATA SHEET.		
Title: Type 81-2 Barrier Cage Assembly		
Drawing No:	Revision:	Date:
APC - 106	B	10-12-07

Sheet Size:	A3
Drawing Scale:	1:20
Drawn By:	F.A.A
Checked By:	

APC

Ardee Precast Concrete Ltd.

Townparks, Ardee, Co. Louth.
Tel. +353(0)41 6856372
Email. info@ardeeprecastconcrete.com
www.ardeeprecastconcrete.com

Also:
Ranch House, 1 Chapel Lane,
Bingham, Nottingham, NG13 8GF
Tel. 01949 838647 Email. info@apccivils.co.uk