

Foundation:

The dimensions as well as the quality of the material to be used are determined by the relevant requirements of the intended application. The barrier can be placed on surfaces such as concrete, asphalt and compacted & levelled hardcore, clause 804 or similar, with appropriate height and width. To be used as a bearing surface for double-sided concrete crash barriers.

Concrete Crash Barrier consisting of Concrete Barrier Sections.

The concrete crash barrier system described here is a reinforced C-35 concrete barrier (New Jersey shape), double-sided, System SPENGLER Type 81-2 (Terminal Barrier) measuring 3500mm x 610mm x 810mm (L x B x H) for use as a free standing and permanent system without any backing. The installation must allow for perfectly aligned sections which are flush to the FOK surface level in accordance with the detailed design.

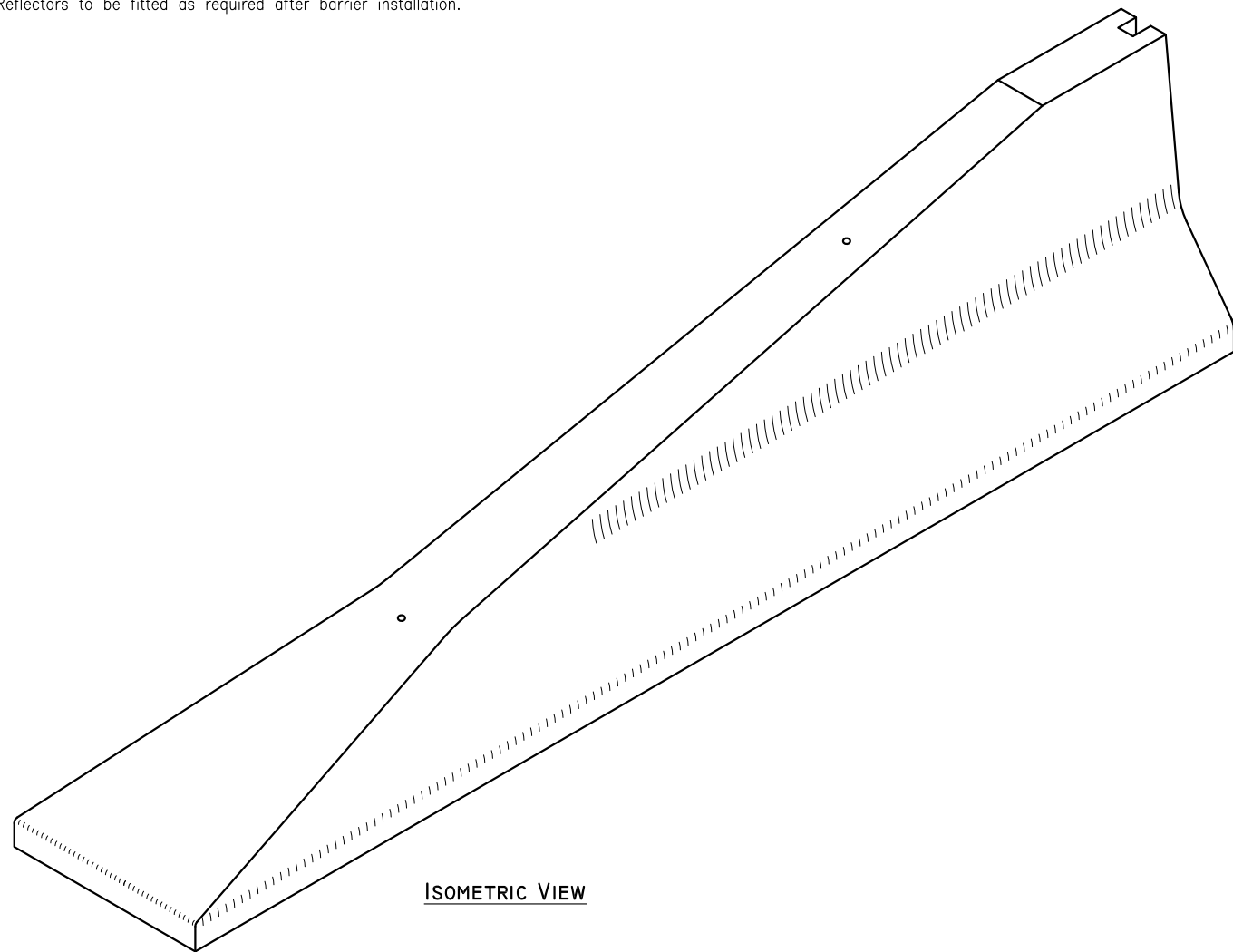
The connection system consists of 1No. J.J hook fitted to end of the barrier which interlocks, thus providing a 1 piece joining system for speed and safety of installation. J.J hooks are welded to the reinforcement, thus providing continuous linkage thru' the barrier.

The reinforcement must be fitted in accordance with the design.

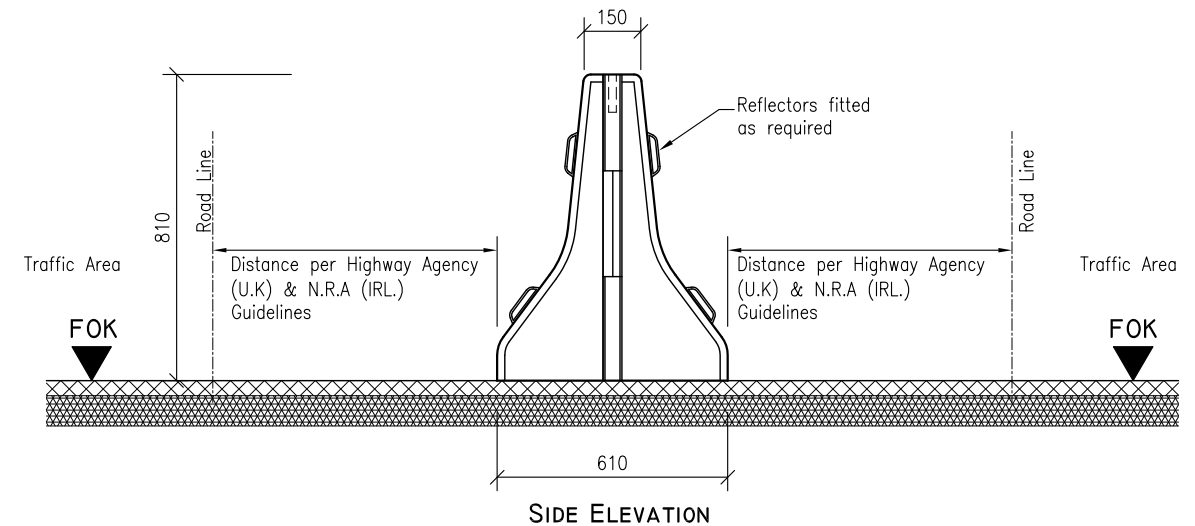
The barrier is placed as a free-standing construction.

Installation must be carried out in accordance with the manufacturer's instructions.

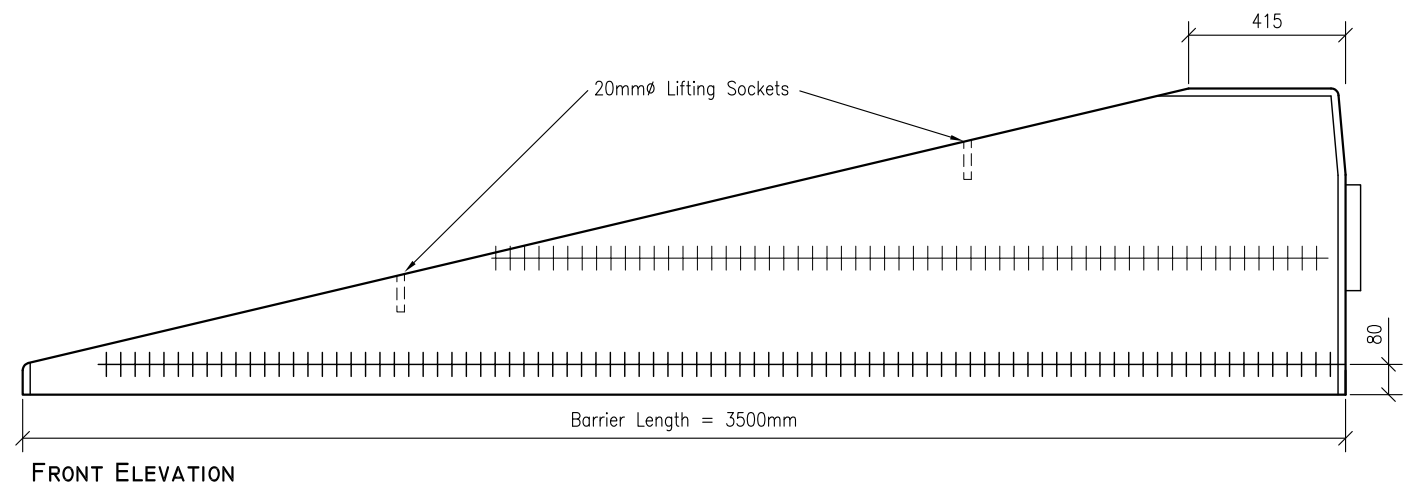
Reflectors to be fitted as required after barrier installation.



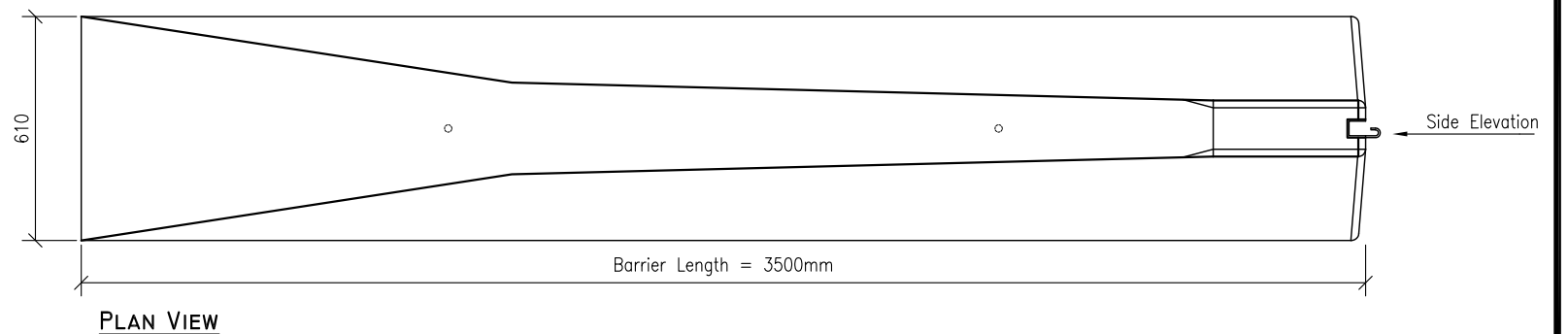
ISOMETRIC VIEW



SIDE ELEVATION



FRONT ELEVATION



PLAN VIEW

TERMINAL CONCRETE CRASH BARRIER SECTION (FREE - STANDING)

WEIGHT - 1.64T (APPROX)

- DO NOT SCALE USE FIGURED DIMENSIONS ONLY.
- ALL DIMENSIONS TO BE CHECKED ON SITE.
- A.P.C TO BE INFORMED OF ANY DISCREPANCIES BEFORE WORK PROCEEDS.

Revision:	Description:	Drawn By:	Date:
A	Redrawn.	N.D.	30.11.10
B	Amendments to text.	N.D.	08.05.13
C	Title block amended	N.D.	14.07.15

Project:			Sheet Size:
TECHNICAL DATA SHEET.			A3
Title:			Drawing Scale:
Type 81-2 System Spengler Concrete Barrier. (Terminal)			1:20
Drawing No:			Drawn By:
APC - 101	Revision:	Date:	N.D.
	C	10-12-2004	Checked By:



Ardee Precast Concrete Ltd.

Townparks, Ardee, Co. Louth.

Tel. +353(0)41 6856372

Email. info@ardeeprecastconcrete.com

www.ardeeprecastconcrete.com

Also:

Ranch House, 1 Chapel Lane,
Bingham, Nottingham, NG13 8GF

Tel. 01949 838647 Email. info@apccivils.co.uk

© COPYRIGHT: Ardee Precast Concrete.
This drawing or any part thereof may not be copied or otherwise reproduced without the written permission of Ardee Precast Concrete.